

**BC BUILDING CODE INTERPRETATION COMMITTEE
AIBC, APEGBC, BOABC, POABC**

INTERPRETATION

Interpretation Date:	November 21, 2001	File No.: 98-0028
Building Code Edition:	B.C. Building Code 1998	
Subject:	Egress and exit door widths	
Keywords:	Egress & exit door width, doorway clearances	
Building Code Reference(s):	3.3.1.12.(1) & (10), 3.4.3.1.(2)(e), A.3.4.3.1.(2)	Page 1 of 4 <i>292</i>

Question:

Please reconcile door width requirements of Sentence 3.3.1.12.(1) and Clause 3.4.3.1.(2)(e). Does door hardware need to be considered when measuring doorway clearances?

Interpretation:

Exit Doorways

Clause 3.4.3.1.(2)(e) requires an *exit* doorway to have a minimum width of 790 mm [see Appendix note A.3.4.3.1.(2)].

Sentence 3.4.3.5.(2) permits this required width to be reduced by 50 mm for each door leaf.

This minimum $(790 - 50) = 740$ mm doorway clearance must take into consideration both the door thickness as well as associated door hardware. See Figure 98-0028a to 98-0028d. If the door swing is less than 90°, the doorway width must be designed to avoid having the door hardware encroach into the minimum 740 mm clearance.

Doors in access to exit from a suite

Sentence 3.3.1.12.(1) requires a minimum clear opening of 800 mm for doors that open into a *public corridor* or other facility that provides *access to exit* from a *suite*. This minimum clear opening must take into consideration the extent of door swing, door thickness, door stop projection and door hardware projection. See Figures 98-0028 c and d.

The views expressed are the consensus of the joint committee of AIBC, APEGBC, BOABC, and POABC, which form the BC Building Code Interpretation Committee. The purpose of the committee is to encourage uniform province wide interpretation of the BC Building Code. These views should not be considered as the official interpretation of legislated requirements based on the BC Building Code, as final responsibility for an interpretation rests with the local *Authority Having Jurisdiction*. The views of the joint committee should not be construed as legal advice.

BC BUILDING CODE INTERPRETATION COMMITTEE
AIBC, APEGBC, BOABC, POABC

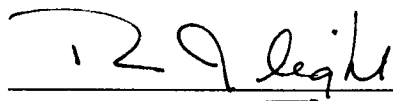
98-0028

Page 2 of 4

Doors for access for persons with disabilities

Sentence 3.3.1.12.(10) requires that all doors that provide access for persons with disabilities be designed in accordance with Sentence 3.3.1.12.(1) with a clear opening of 800 mm.

It should be noted that occupant loads may demand larger doorway widths than these minimum requirements.



R.J. Light, Committee Chair

The views expressed are the consensus of the joint committee of AIBC, APEGBC, BOABC, and POABC, which form the BC Building Code Interpretation Committee. The purpose of the committee is to encourage uniform province wide interpretation of the BC Building Code. These views should not be considered as the official interpretation of legislated requirements based on the BC Building Code, as final responsibility for an interpretation rests with the local *Authority Having Jurisdiction*. The views of the joint committee should not be construed as legal advice.

BC BUILDING CODE INTERPRETATION COMMITTEE

AIBC, APEGBC, BOABC, POABC

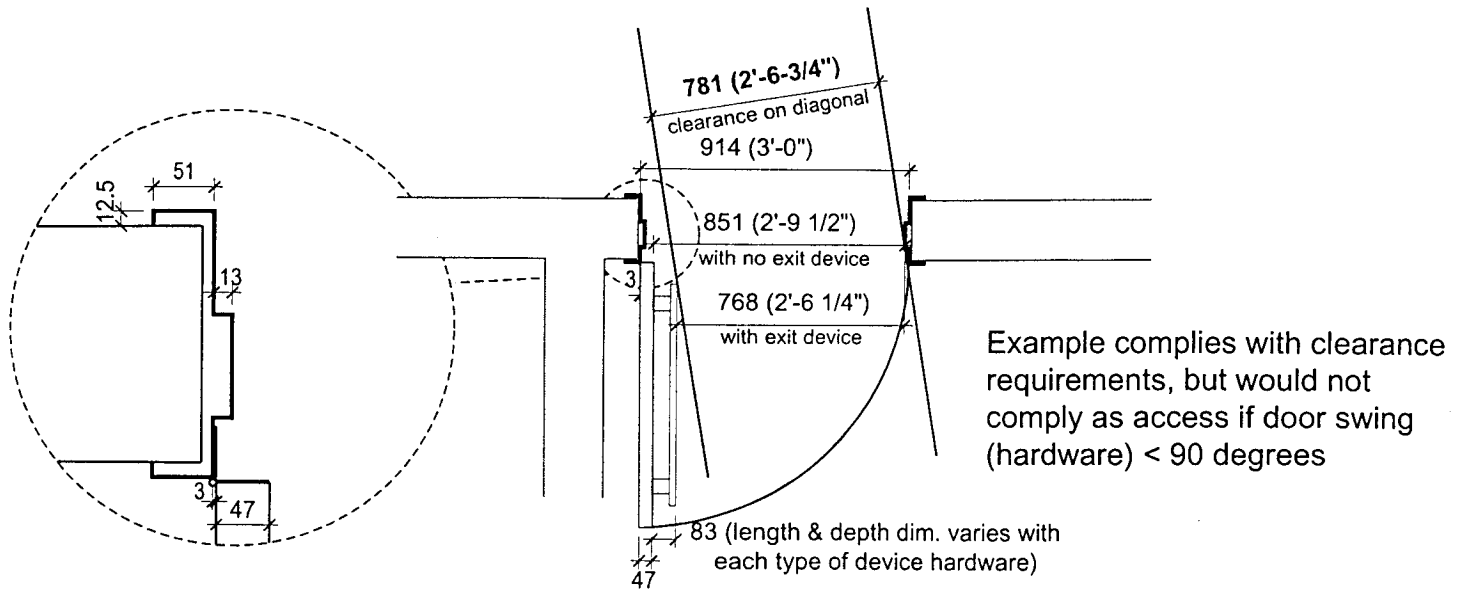


Figure 98-0028a - Exit Doorway

Example: 915mm (3'-0") door/ quick release hardware and swing @ 90 degrees

Minimum Clearance Calculation		
3.4.3.1.(2)(e)	Minimum doorway width (mm)	790
3.4.3.5.(2)	Permitted reduction of required exit width (mm)	- 50
	Minimum clear opening required	740
3.3.1.12.(1)&(10) - All doors providing access require a clear opening of not less than 800mm		
<u>Note:</u> The minimum clearance is 740mm. The clearance dimension may be taken on the diagonal, however this dimension must consider all physical restrictions including the closing and exit devices.		

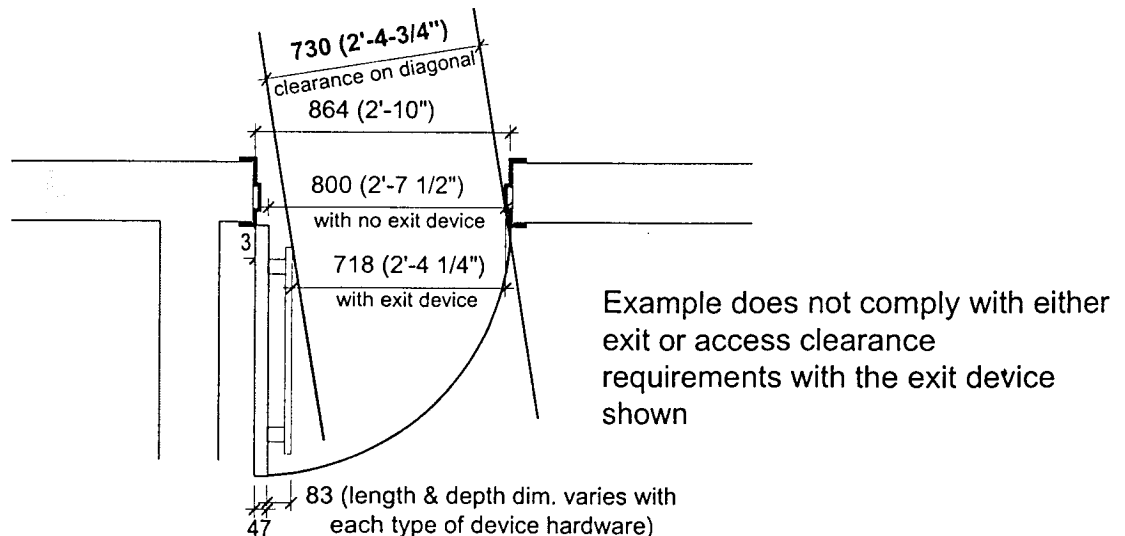


Figure 98-0028b - Exit Doorway

Example: 864mm (2'-10") door/ quick release hardware and swing @ 90 degrees

BC BUILDING CODE INTERPRETATION COMMITTEE

AIBC, APEGBC, BOABC, POABC

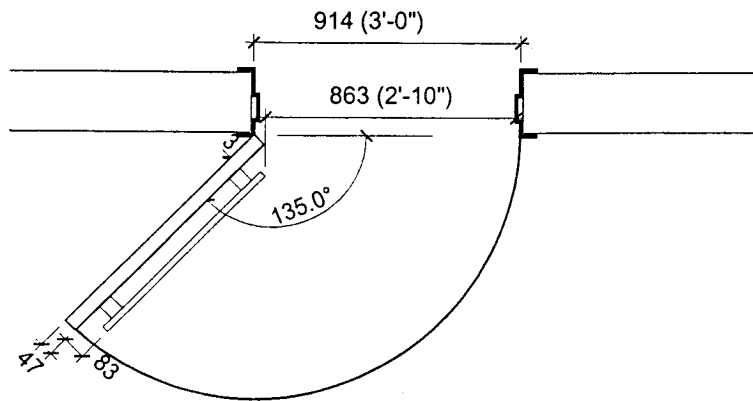


Figure 98-0028c - Clear Opening of Door Providing Access to Exit

Example: 915mm (3'-0") door/ quick release hardware and swing > 90 degrees

Minimum Clearance Calculation		
3.4.3.1.(2)(e)	Minimum doorway width (mm)	790
3.4.3.5.(2)	Permitted reduction of required exit width (mm)	- 50
	Minimum clear opening required	740
3.3.1.12.(1)&(10) - All doors providing access require a clear opening of not less than 800mm		
<u>Note:</u> The minimum clearance is 740mm. The clearance dimension may be taken on the diagonal, however this dimension must consider all physical restrictions including the closing and exit devices.		

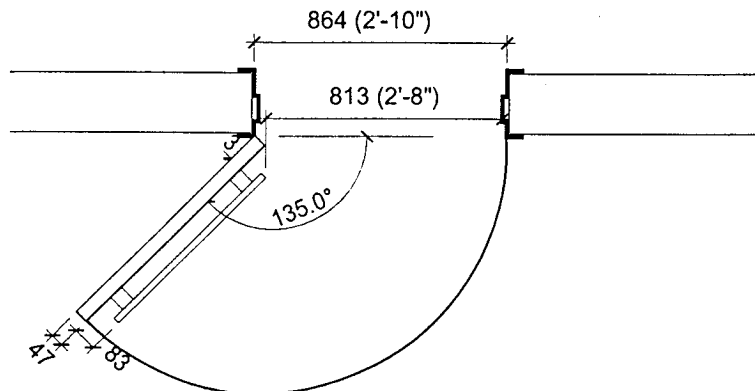


Figure 98-0028d - Clear Opening of Door Providing Access to Exit

Example: 864mm (2'-10") door/ quick release hardware and swing > 90 degrees