

**BC BUILDING CODE INTERPRETATION COMMITTEE
AIBC, APEGBC, BOABC, POABC**

INTERPRETATION

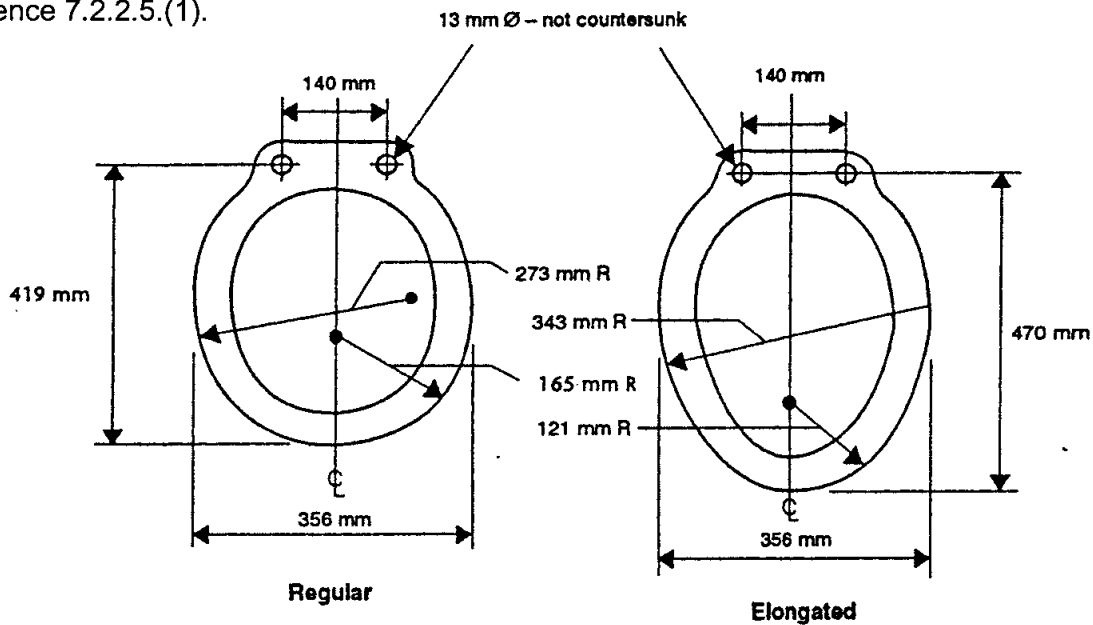
Interpretation Date:	July 17, 2002	File No.: 98-0054
Building Code Edition:	BC Building Code 1998	
Subject:	Elongated Water Closet Bowls	
Keywords:	Elongated, Bowls	
Building Code Reference(s):	7.2.2.2.(1), 7.2.2.5.(1)	Page 1 of 1

Question:

What is the method of identifying elongated type water closet bowls as referred to in Sentence 7.2.2.5.(1)?

Interpretation:

The 1998 BCBC Sentence 7.2.2.5.(1) requires elongated type water closet bowls in all washrooms for *public use*. The dimensions for such bowls (shown below) can be found within the CSA B45.0-94 Standard as referenced in Sentence 7.2.2.2.(1). It should be noted that these *public use* water closets are to be provided with seats of the open front type as stated in Sentence 7.2.2.5.(1).



**Figure 7
Typical Top Contour for Water Closet Bowls**

R. J. Light

R.J. Light, Committee Chair

The views expressed are the consensus of the joint committee of AIBC, APEGBC, BOABC, and POABC, which form the BC Building Code Interpretation Committee. The purpose of the committee is to encourage uniform province wide interpretation of the BC Building Code. These views should not be considered as the official interpretation of legislated requirements based on the BC Building Code, as final responsibility for an interpretation rests with the local *Authority Having Jurisdiction*. The views of the joint committee should not be construed as legal advice.